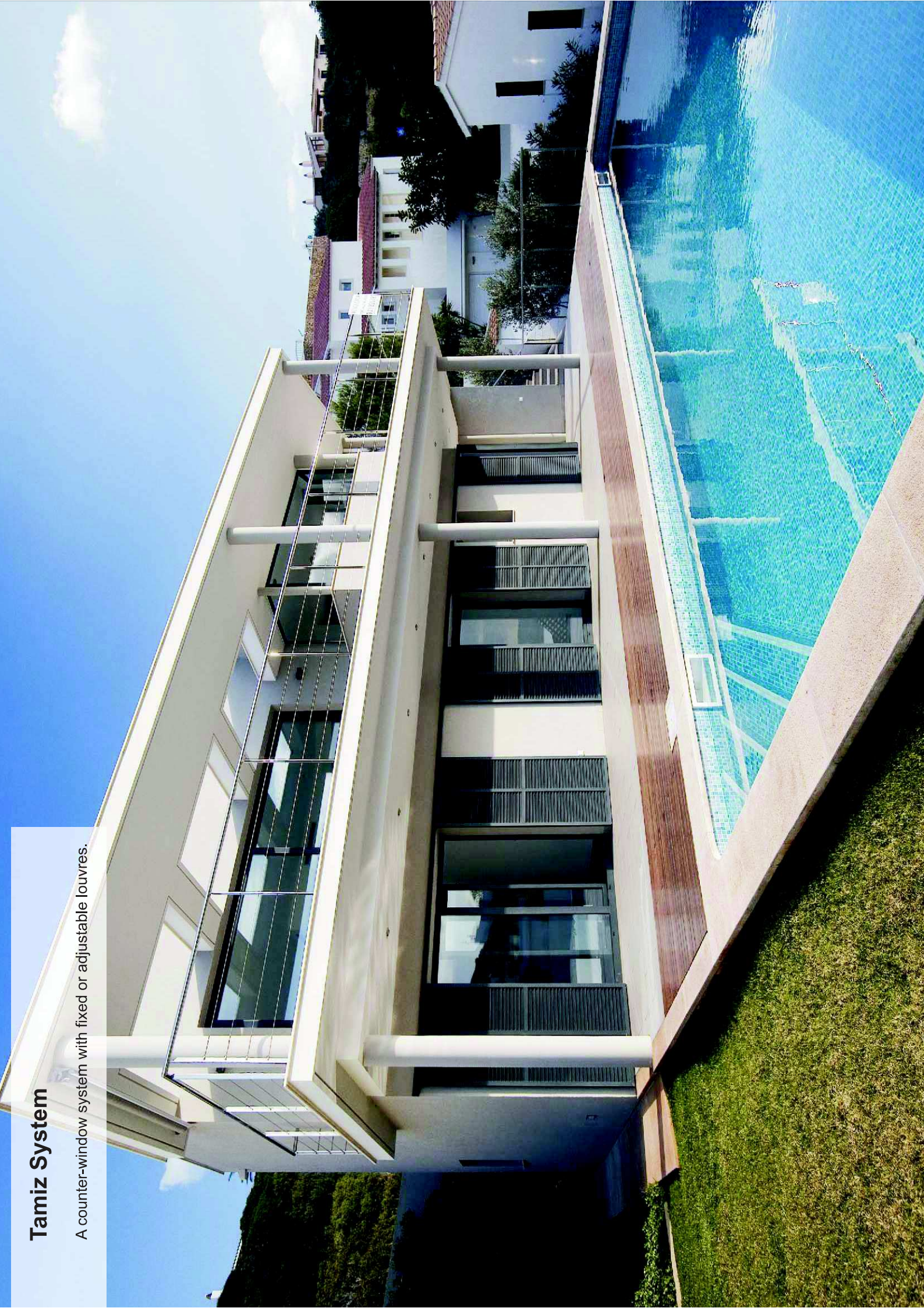


Tamiz System

A counter-window system with fixed or adjustable louvres.



Tamiz System

Transmittance

Thermal resistance of the counterwindow and the thermal chamber $\Delta R = 0,08$ (m²K/W)

Uw (W/m ² K)	Uws (W/m ² K)
0.8	0.75
1.0	0.93
1.2	1.09
1.4	1.26
1.6	1.42
1.8	1.57
2.0	1.72
2.2	1.87
2.4	2.01
2.6	2.15
2.8	2.29
3.0	2.42
3.2	2.55

Uw window transmittance

Uws transmittance of the window-counterwindow assembly

Calculations according to EN ISO 10077-1:2000

Categories achieved at test centre

Wind loading resistance

(UNE 13659:2004): CLASS 5

Test reference 1,50 x 1,50 m, 2 sashes

Finishes

Colour powder coating (RAL, mottled and rough)

Wood effect powder coating

Anti-bacterial powder coating

Anodized

Closing possibilities:

Closing with fixed or adjustable louvres

Opaque closing (panel sandwich)

Glazed closing



Sections

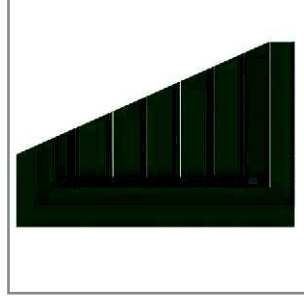
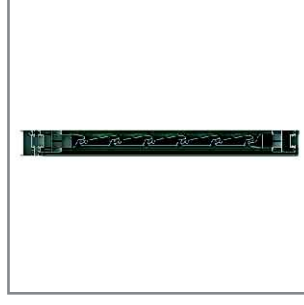
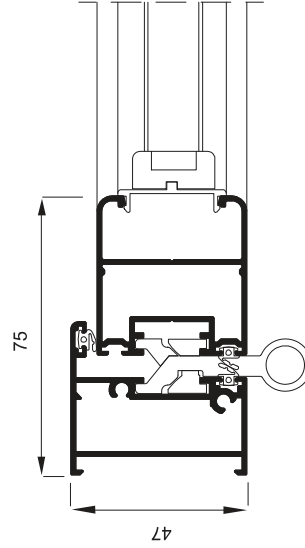
Frame 47 mm.

Sash 40 mm.

Profile thickness

Window 1,3 mm.

Door 1,5 mm.



Opening possibilities



Practicable 1, 2, 3 & 4 sashes
Folding
Slider

Maximum dimensions

Width (L) = 1.600 mm.

Height (H) = 2.500 mm.

single sash

Maximum weight/sash

65 Kg.

Please consult regarding maximum weight and dimensions for other opening types